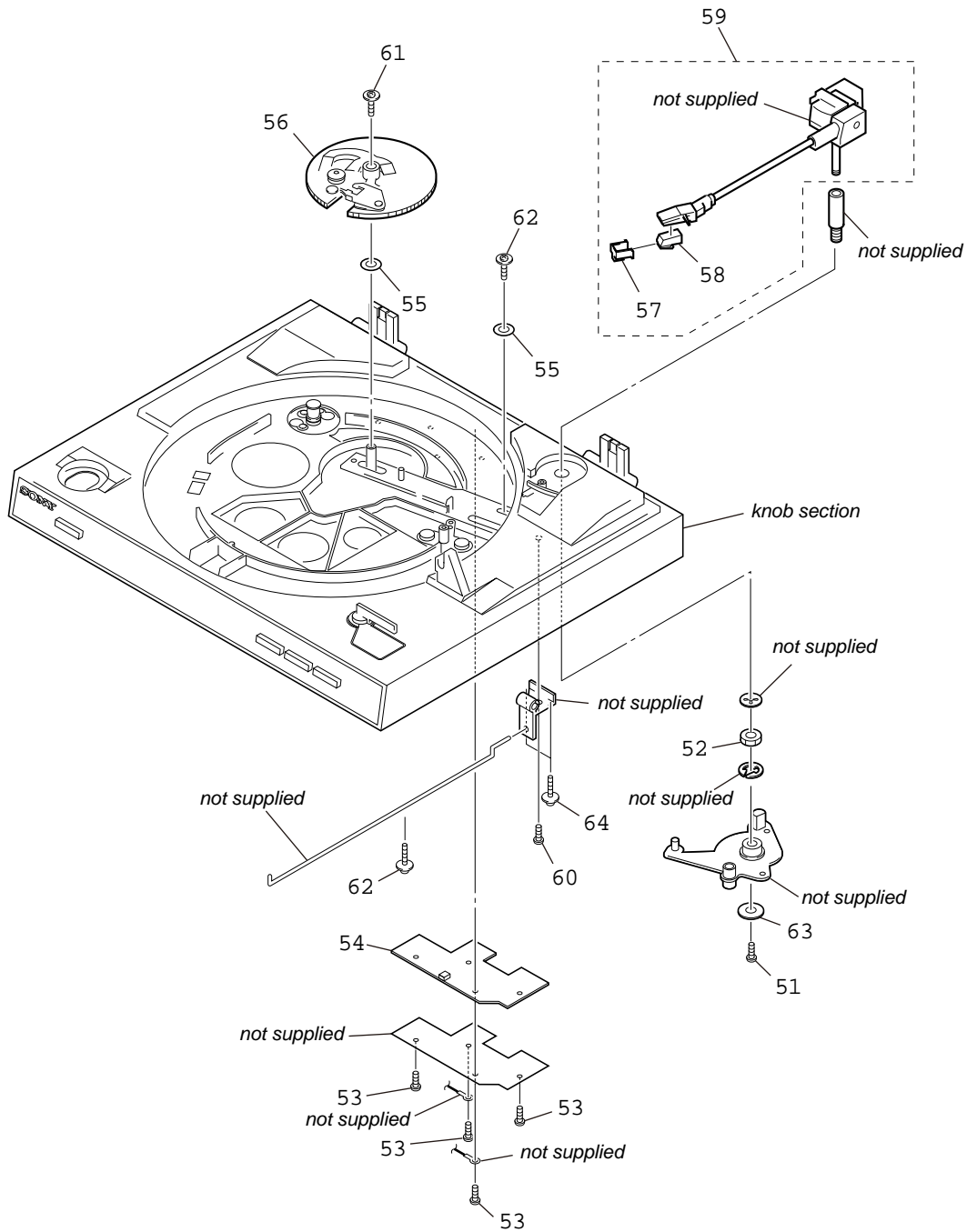


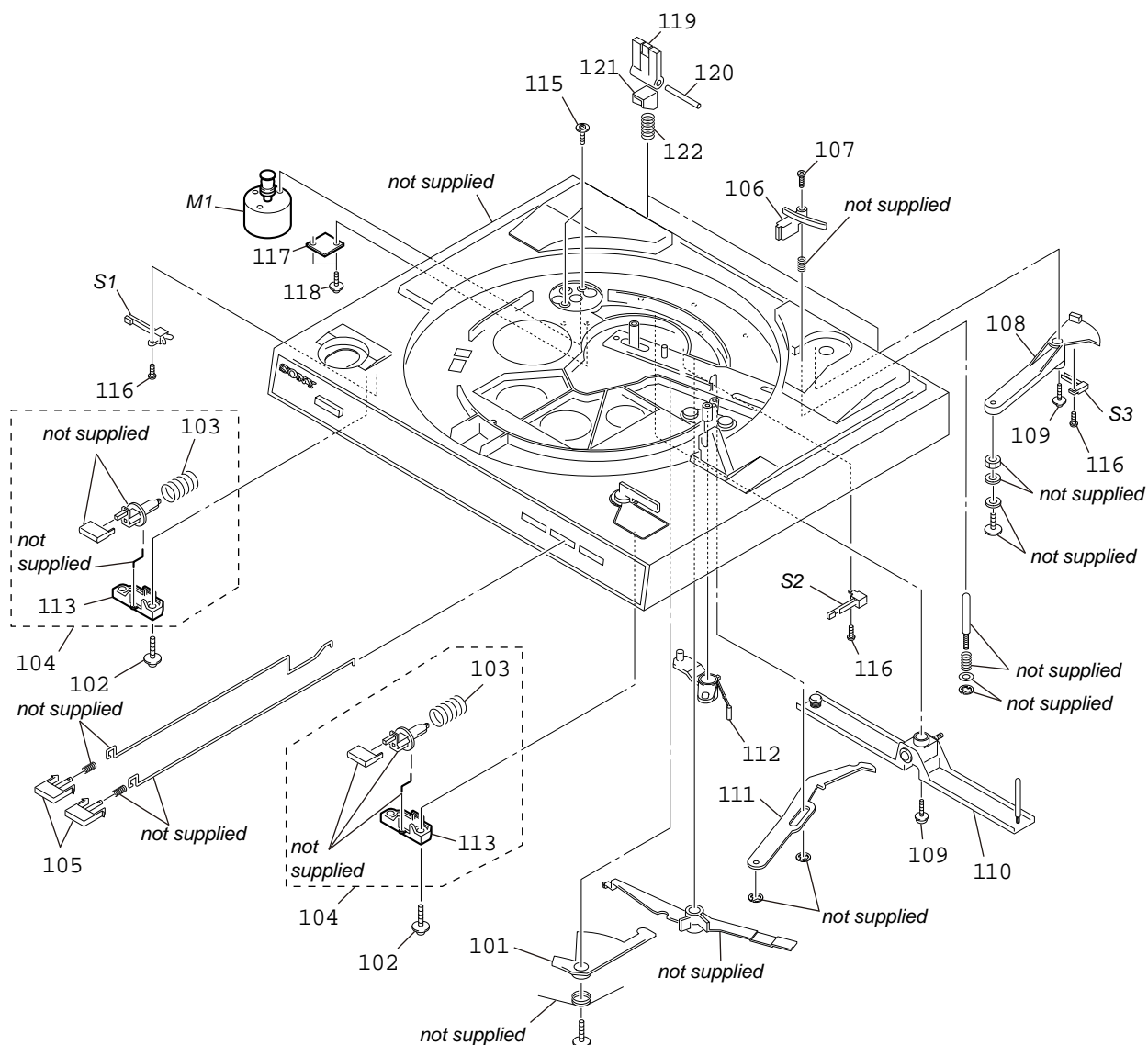
4-2 USB BOARD SECTION



Note: When USB board failed, please change the board entirely.

Ref. No.	Part No.	Description	Remark	Ref. No.	Part No.	Description	Remark
51	4-215-538-01	SCREW PS 3X12		58	9-885-117-76	CARTRIDGE	
52	4-215-530-01	NUT M9 HEX 11		59	9-885-117-72	TO NEARM ASSY	
53	4-215-532-01	SCREW=PTPWH 3X8 W10					
54	9-885-117-63	USB BOARD, COMPLETE (US, Canadian)		60	4-215-520-01	SCREW BVTT 3X20	
54	9-885-131-44	USB BOARD, COMPLETE (AEP, UK, Australian)		61	4-215-539-01	SCREW=PTPWH 3X7 W10	
55	4-215-523-01	COLLAR (D6D8X1.5)		62	4-215-540-01	SCREW=BVTPW 3X10 W13	
56	9-885-117-68	GEAR ASSY, CAM		63	4-215-562-01	WASHER D3.2 W13	
57	9-885-117-75	STYLUS (N-6516)		64	4-215-576-01	SCREW=PTPWH 3X10 W10	

4-3 KNOB SECTION



Ref. No.	Part No.	Description	Remark	Ref. No.	Part No.	Description	Remark
101	9-885-117-78	PENDULUM (L)		115	4-215-541-01	SCREW (F 3X6.5) STEP	
102	4-215-533-01	SCREW=PTPWH 3X12 W8		116	4-215-542-01	SCREW=PTP 2.6X8	
103	4-215-526-01	SPRING		117	9-885-117-03	ADAPTOR BOARD, COMPLETE	
104	9-885-117-67	SET ASSY, KNOB SHAFT (&)		118	4-215-532-01	SCREW=PTPWH 3X8 W10	
105	9-885-117-74	KNOB, PLAY STOP		119	4-216-509-01	HINGE	
106	9-885-117-81	LIFTER		120	4-216-534-01	HINGE PIN	
107	4-215-535-01	SCREW=PTP 3X8		121	4-216-510-01	HINGE SLIDE	
108	9-885-117-77	FIXING SWITCH SET		122	4-216-536-01	HINGE SPRING	
109	4-215-537-01	SCREW=PTPWH 3X10 W8		M1	9-885-117-73	MOTOR ASSY (TURN TABLE)	
110	9-885-117-70	SHAFT ASSY		S1	9-885-117-88	SWITCH, LEAF (SPEED SETTING)	
111	9-885-117-83	CONTROL PLATE		S2	9-885-117-88	SWITCH, LEAF (TONE ARM UP/DOWN DETECT)	
112	9-885-117-79	PENDULUM (M)		S3	9-885-117-89	SWITCH, LEAF (TONE ARM TURN DETECT)	
113	9-885-117-80	KNOB SET					
114	4-215-540-01	SCREW=BVTPW 3X10 W13					

4-4 ACCESSORIES

<u>Ref. No.</u>	<u>Part No.</u>	<u>Description</u>	<u>Remark</u>
	3-198-123-14	MANUAL, INSTRUCTION (ENGLISH)	
	3-198-123-23	MANUAL, INSTRUCTION (FRENCH, SPANISH) (Canadian, AEP)	
	3-198-123-33	MANUAL, INSTRUCTION (GERMAN, DUTCH, ITALIAN) (AEP)	
	3-198-123-43	MANUAL, INSTRUCTION (SWEDISH, POLISH) (AEP)	
	3-296-918-01	APPLICATION SOFTWARE (SFAS) (CD-ROM: Sound Forge Audio Studio LE)	
	3-878-582-11	MANUAL, INSTRUCTION (DANISH, FINNISH) (AEP)	
	3-878-582-21	MANUAL, INSTRUCTION (PORTUGUESE) (AEP)	
	3-878-582-31	MANUAL, INSTRUCTION (RUSSIAN) (AEP)	
	3-878-582-41	MANUAL, INSTRUCTION (GREEK) (AEP)	
	3-878-582-51	MANUAL, INSTRUCTION (CZECH, HUNGARIAN) (AEP)	
	3-878-582-61	MANUAL, INSTRUCTION (TURKISH) (AEP)	
	3-878-582-71	MANUAL, INSTRUCTION (SLOVAKIAN) (AEP)	
	9-885-117-84	45 RPM ADAPTER (45 r/min adaptor)	
	9-885-117-85	TURN TABLE (Platter)	
	9-885-117-86	PAD, RUBBER (Rubber mat)	
	9-885-117-87	BELT (Drive belt)	
	9-885-117-95	CABLE, USB	

MEMO

